

# Cartridge heater



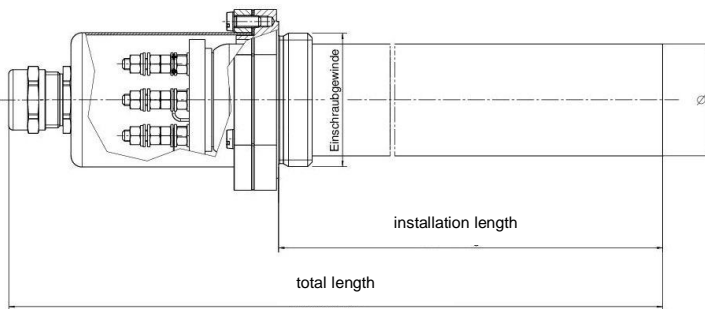
Type 850 – without flange, without cap



Type 851 – with flange, without cap



Type 852 – with flange, with cap

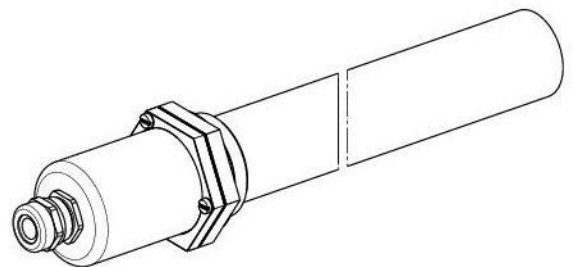


## Typical Applications

Warming / heating of mainly liquid media (e.g. water, oil, chemical media) in all industrial sectors.

## Characteristics

- voltage up to 600V
- diameter up to 60mm
- length up to 3500mm
- tube / flange made of brass, steel or stainless steel
- with / without flange
- with / without cap (brass nickel-plated)
- cable gland axial
- protection class: I
- IP protection class: IP 55
- available with additional protection tube
- temperature control done by customer
- UL /CSA approval (E76225) for standard versions
- variations on request



## Technical Specifications

type	850-xx-20 851-xx-20 852-xx-20	850-xx-24 851-xx-24 852-xx-24	850-xx-25 851-xx-25 852-xx-25	850-xx-30 851-xx-30 852-xx-30	850-xx-40 851-xx-40 852-xx-40	850-xx-50 851-xx-50 852-xx-50	850-xx-60 851-xx-60 852-xx-60
diameter [mm]	20	24	25	30	40	50	60
max. installation length [mm]	3500	3500	3500	3500	3500	3500	3500
max. voltage [V]	300	300	300	300	300	600	600
screw-in thread (flange version)	G $\frac{3}{4}$ "	G1"	G1"	G1 $\frac{1}{4}$ "	G1 $\frac{1}{2}$ "	G2"	G2"

(xx – UL type code for material of tube)

Technical modifications reserved



PDB 1418 Index 2

**Eichenauer Inc.**

292 Sunapee Street · Newport NH 03773-1232  
 ☎ +1 (603) 863-1454 · 📞 +1 (603) 863-1248 ✉ [info@eichenauerusa.com](mailto:info@eichenauerusa.com)  
[www.eichenauerusa.com](http://www.eichenauerusa.com)

